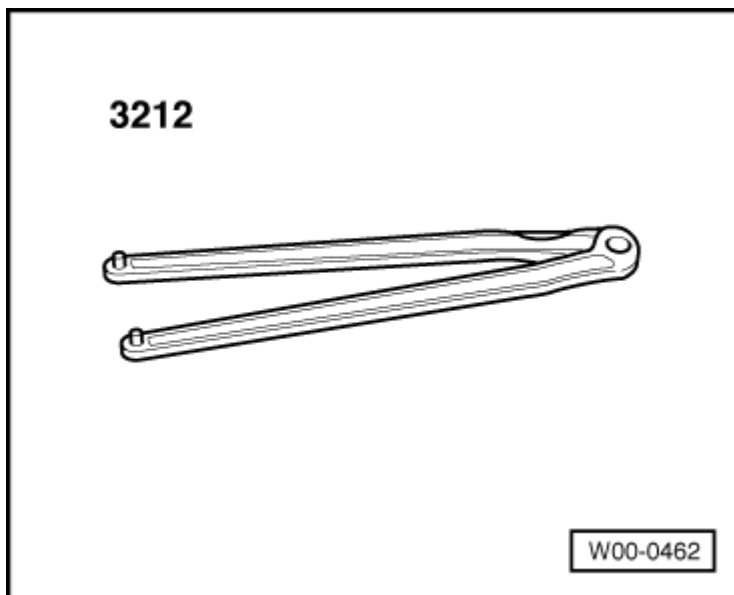


Vehicles with 1.9 ltr. TDI engine to 05.2003

Special tools and workshop equipment required

- ⊕ 2-hole pin wrench -3212-



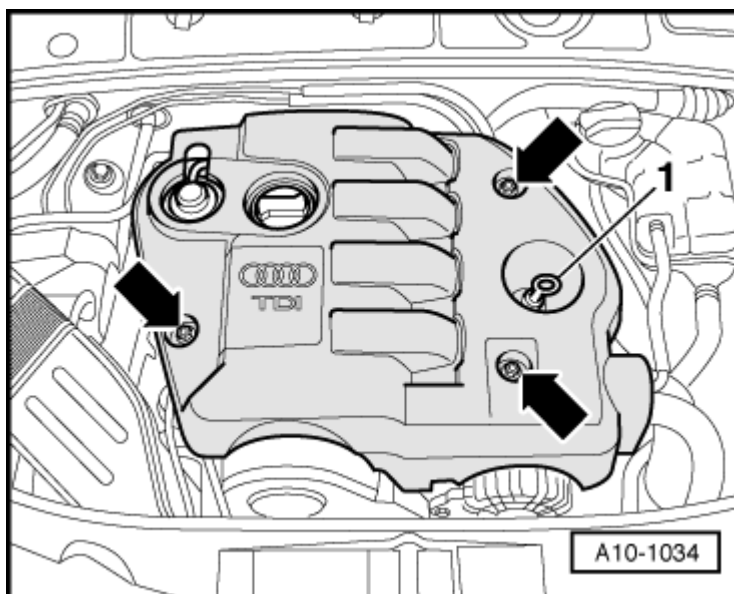
Removing

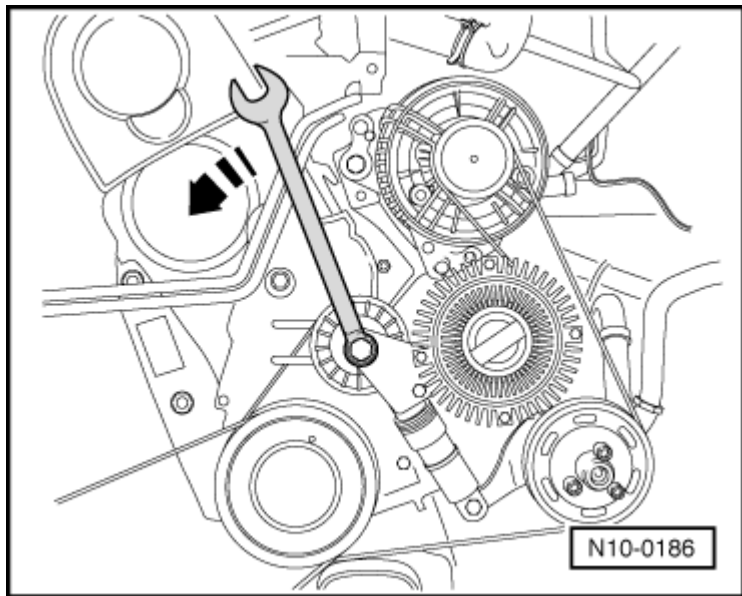
- With ignition switched off, disconnect earth cable at battery → **Chapter**.
- Pull oil dipstick -1- out of guide tube.
- Unclip caps.
- Unscrew nuts -arrows- and detach engine cover.
- Remove insulation beneath cover.
- Re-insert dipstick in guide tube.

Note

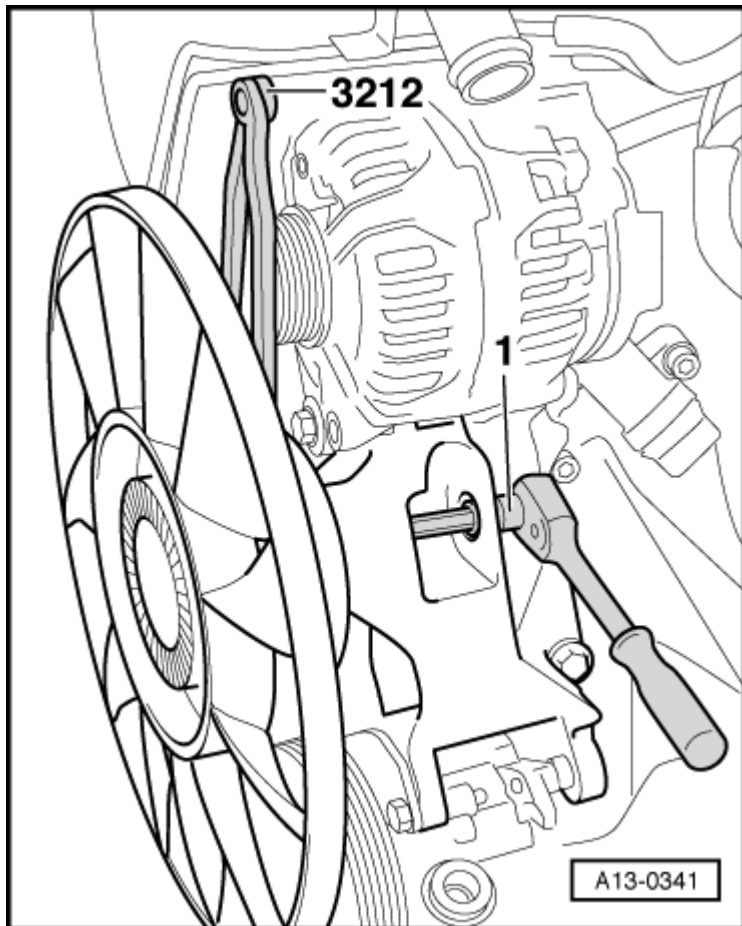
Before removing, mark running direction of poly V-belt with chalk or felt-tipped pen. If the belt runs in the wrong direction when it is refitted, this can cause breakage.

- To slacken poly V-belt, turn tensioner in direction of -arrow-.
- Remove poly V-belt from alternator pulley.
- Release pressure from the tensioner.

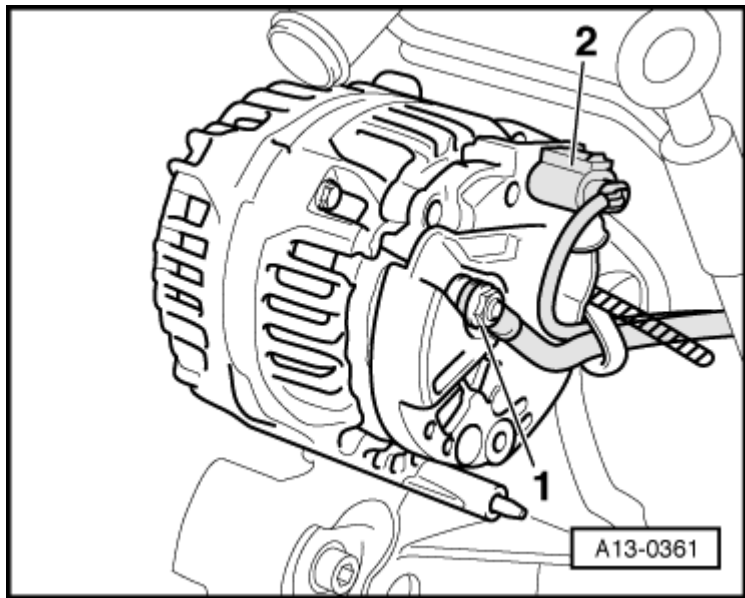




- Counterhold on pulley for viscous fan with 2-hole pin wrench -3212- and unscrew from bracket using 8 mm hexagon key -1-.
- Detach viscous fan and place in radiator cowl.



- Unplug connector -2-.
- Unscrew terminal 30/B+ -Item 1-.
- Move wiring clear.

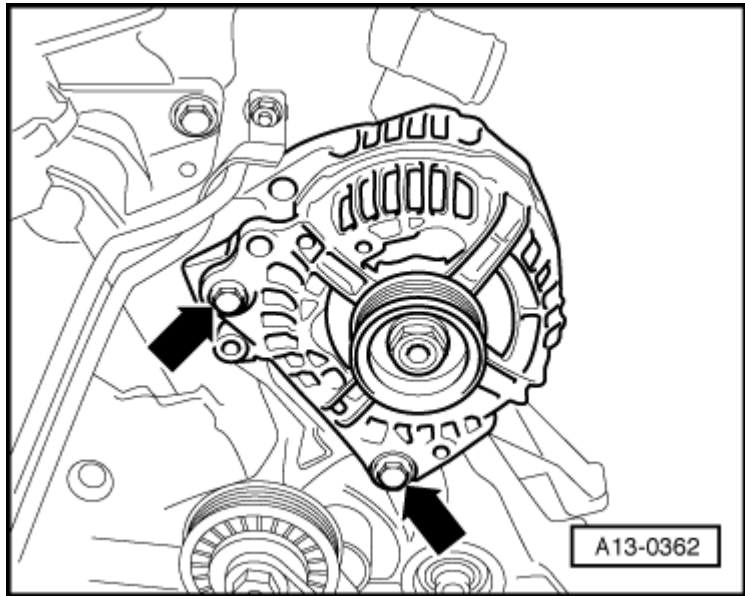


- Unscrew bolts -arrows-
- Remove alternator.

Installing

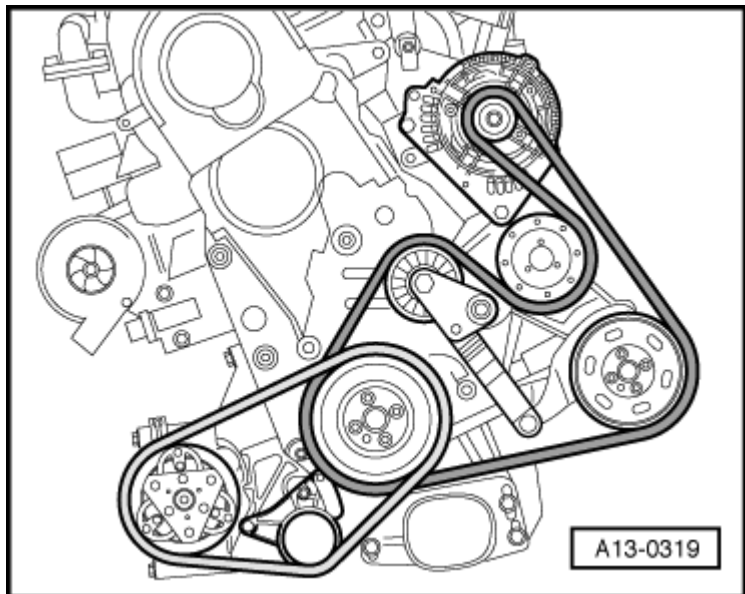
Installation is carried out in the reverse order; note the following:

- Place viscous fan in radiator cowl before installing alternator.
- To facilitate positioning of alternator, drive back bushes for securing bolts slightly.



- Make sure poly V-belt is properly positioned and correctly routed.
- Connect the battery. Additional steps required → **Anchor**.
- Start engine and check that belt runs properly.

Tightening torques



Component	Nm

Alternator to bracket	25
Terminal 30/B+ to alternator	16
Viscous fan to bearing	45