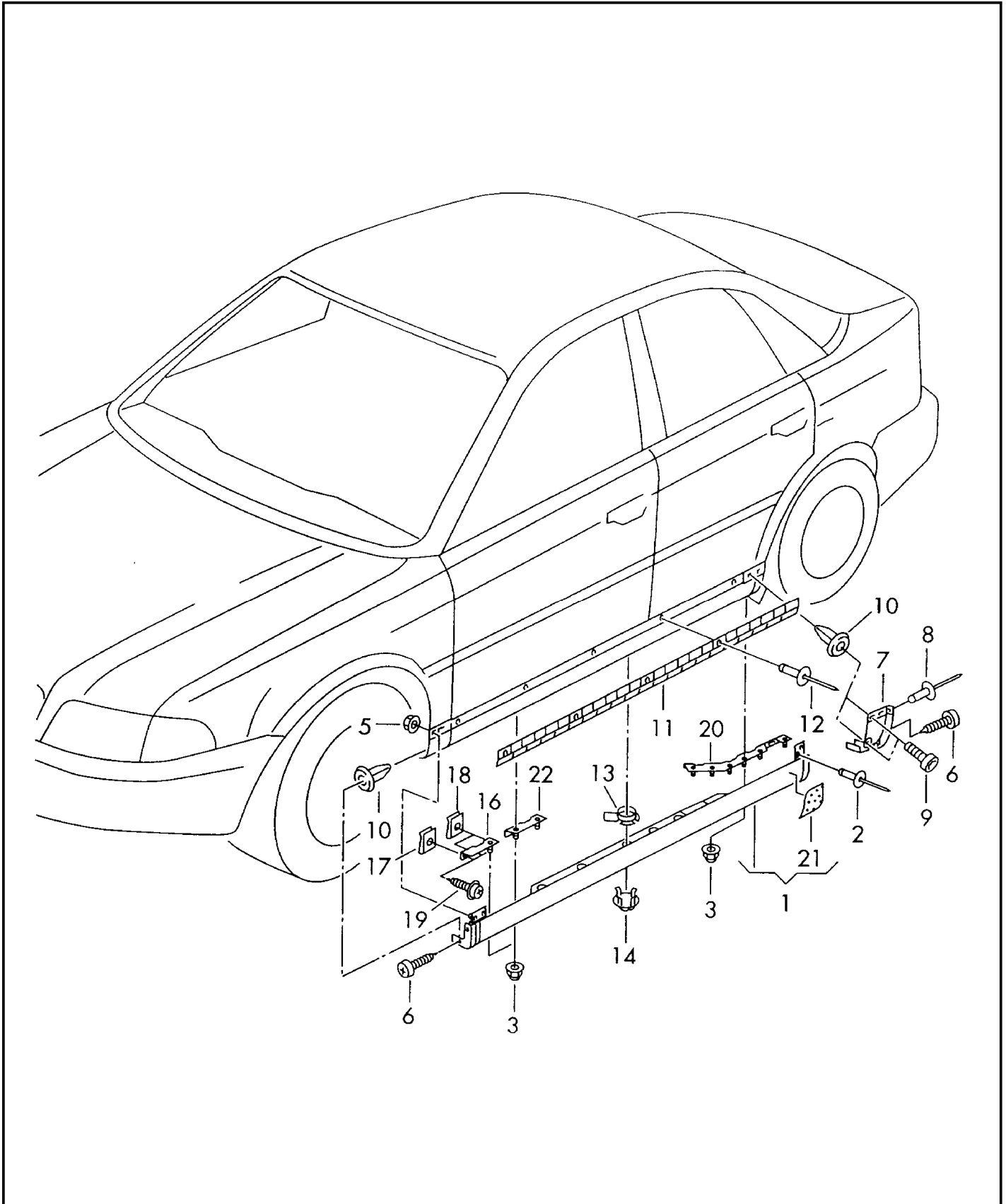




ETKA

Model	Year	MG	SG	Illustration	Restrictions	UPD	17:47	02.03.2007
A4Q	1998	8	53	853-60		597		





ETKA

Model	Year	MG	SG	Illustration	Restrictions	UPD	17:47	02.03.2007
A4Q	1998	8	53	853-60		597		

Pos	Part Number	Description	Remark	Qty	Model
		side member trim			S4
1	8D0 853 859	side member trim	left	1	
	03/98-12/98GRU	primed			
(1)	8D0 853 860	side member trim	right	1	
	03/98-12/98GRU	primed			
2	N 902 732 01	pop-rivet	A3,2X10	2	
3	N 908 719 01	domed cap nut	M6	18	
5	N 904 402 01	hex. nut with rubber washer	M5	4	
6	N 905 743 02	panel screw	4,8X13STC	4	
7	8D0 853 923	holder for covering	left	1	
	03/98-12/9801C	satin black			
(7)	8D0 853 924	holder for covering	right	1	
	03/98-12/9801C	satin black			
8	+ N 016 202 3	cup rivet	AK4X8X8,2	2	
9	+ N 907 750 01	innensechsrund-blechschraube	4,8X16	8	
10	+ N 908 214 01	expanding nut	D4,8	X	
11	8D0 853 941	retaining strip	left	1	
(11)	8D0 853 942	retaining strip	right	1	
12	+ N 906 349 01	pop-rivet	A4X14	10	
13	8D0 854 955	lock ring		10	
	03/98-12/9801C	satin black			
		replacement:	8D0 854 955 B (01C)		
13	8D0 854 955 B	lock ring		10	S4
	03/98-12/9801C	satin black			
14	8A0 854 953	locking cover		10	
16	8D0 854 973	retaining bracket	left front	1	
(16)	8D0 854 974	retaining bracket	right front	1	
17	+ N 015 445 2	snap nut	4,8X16,5X11,5	2	
18	+ N 101 799 01	snap nut	ST4,8X20,5X	4	
19	+ N 013 969 4	oval head panel screw	B4,8X16	2	



ETKA

Model	Year	MG	SG	Illustration	Restrictions	UPD	17:47	02.03.2007
A4Q	1998	8	53	853-60		597		

Pos	Part Number	Description	Remark	Qty	Model
20	8D0 854 977	retaining bracket	left rear	1	
(20)	8D0 854 978	retaining bracket	right rear	1	
21	AKL 448 300 04	protective foil adapt with workshop equipment	290X210MM	1	
22	8D0 854 983	retaining bracket	left front	1	
(22)	8D0 854 984	retaining bracket	right front	1	